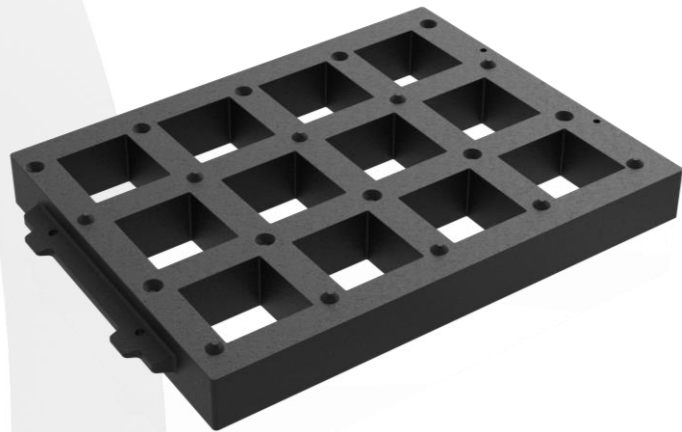


Honeycomb pavers

We developed the trapezoidal grass pavers especially for the street banquet. Due to its special shape, this grass paver can be used on straight roads as well as on curves. The use of curve radius wedges can be dispensed with here. The tongue and groove system ensures a positive connection in all positions. In order to be able to offer road users maximum passive road safety, this grass paver is equipped with acoustic drive-over knobs. In addition, the trapezoidal grass paver has holes for a possible longitudinal fixation during installation.

» Product properties

- dimension 650 x 460 x 65mm
- installation dimensions 620 x 460 x 65mm
- 12 square cutouts
- weight ca. 14,5kg
- recycled material
- black



» Your benefits at a glance

- high load capacity of up to 700t/m² laid area, corresponds to a car weight of approx. 48t with 4 support points (4 wheels)
- ideal cohesion and easy assembly thanks to the tongue and groove system
- resistant to oils and acids
- possible greening on 49% open area
- curves can be relocated in 2°- 4° steps
- natural seepage of precipitation due to low surface sealing
- pressure resistance TÜV tested
- equipped with 2 bores each in the tongue and groove for longitudinal fixation during installation
- increased road safety thanks to acoustic drive-over knobs
- use of reprocessed recycling material



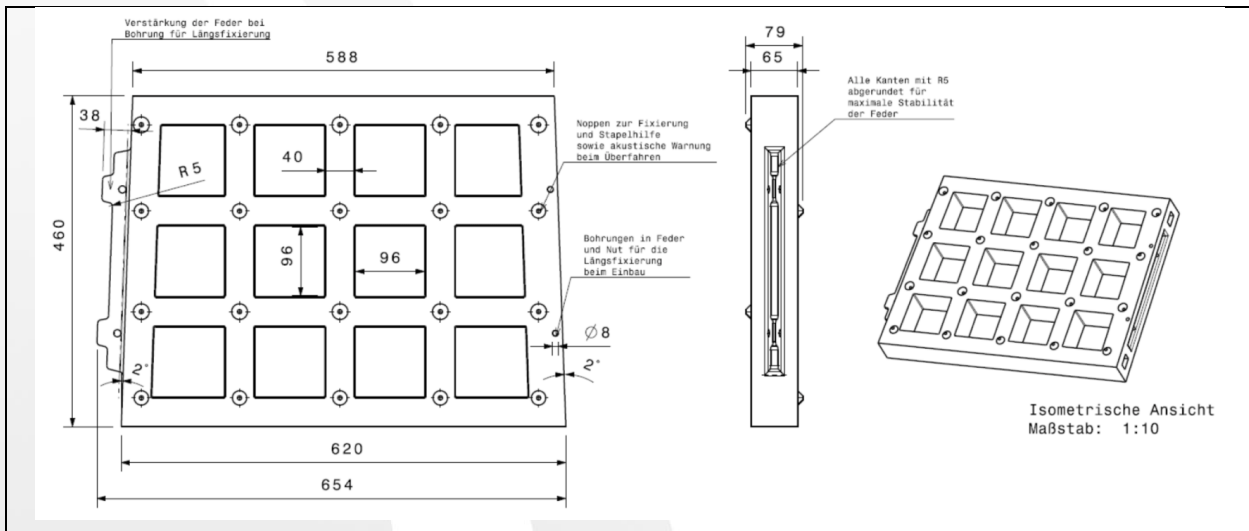
Fig. 1



Fig. 2

Fig. 1 Circular installation for curves or curved roads; Fig. 2 Installation on a straight road

» Technical drawing



Grass Honeycomb pavers trapezoidal 650 x 460 x 65mm, single angle 2°, installation circular 4°

» Installation recommendation

- Excavate the floor to the desired floor height (-580mm).
- Level surface and with vibrator
- Bring in mineral concrete, level and compact
- Laying in the grass pavers
- Backfilling with natural soil, soil, split, etc.
- Sowing (if desired)

